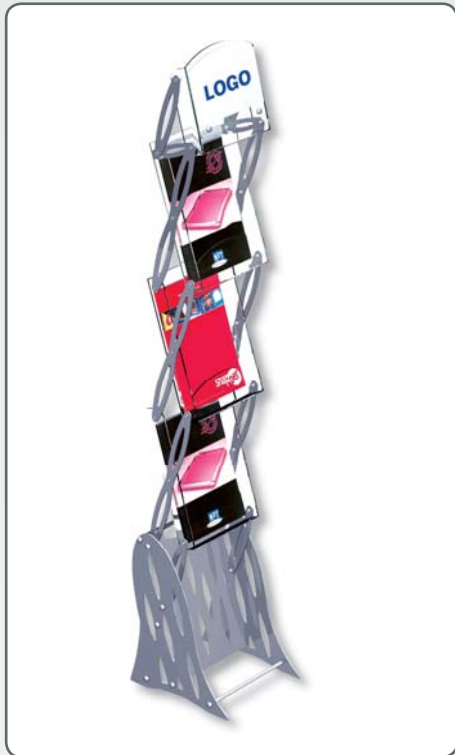


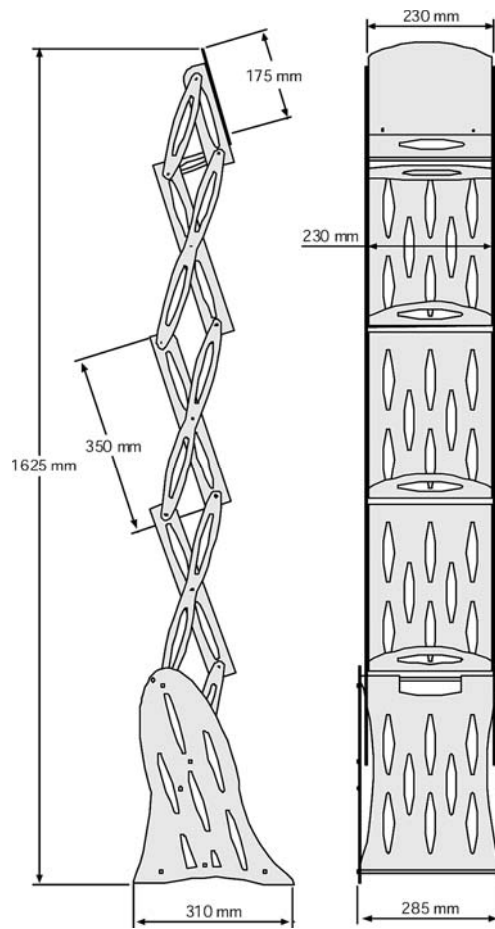


## Technical Guide



### 812 Mobile Flex Brochurestander

Foldable alu brochure stand with acrylic shelves for 3x4 size brochures and logo top.



Model	Art. No.	Capacity	Color	Total W x H	Package Size	- Weight	Pallet Size	- Quantity
812	6428	3 * A4	Alu/Acryl	52*145 cm	48*48*30 cm	7 kg	80*120*220 cm	18 pcs.
812	6426	Bag	Black	-	49*51*31 cm	-	-	-