

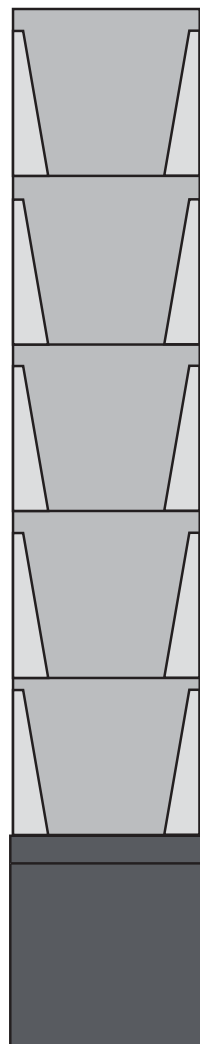


Technical Guide

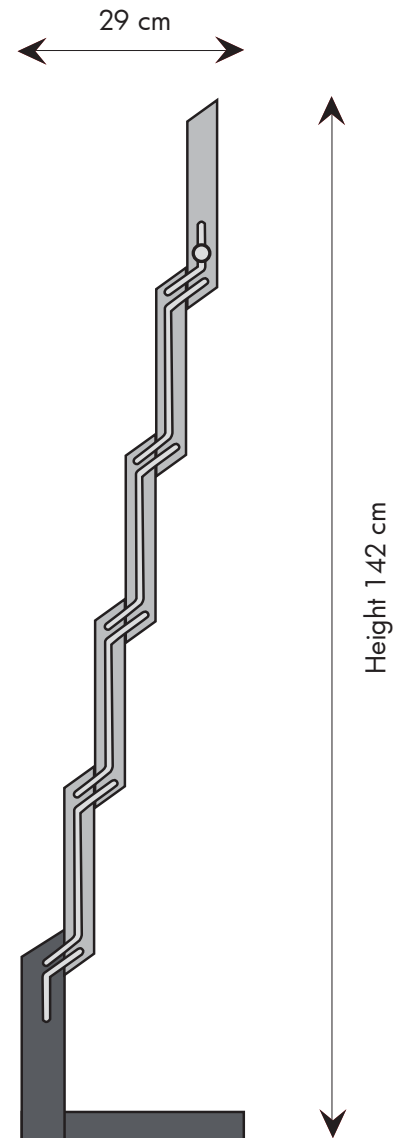


813 Quick Brochure Stand

Foldable brochure stand for 5x A4 size brochures. Foot is lacquered black and brochureholders is lacquered grey. Made in aluminium. With carrybag.



23 cm



Model	Art. No.	Capacity	Color	Total W x H	Package Size	- Weight	Pallet Size	- Quantity
813	4527	5 * A4	Alu/Black	29*142 cm	33*33*38 cm	5,6 kg	80*120*180 cm	50 pcs.